

# LDPMS



## PRESSURE MONITORING SYSTEM

---



The LDPMS is a stand-alone pressure monitoring system design to monitor the pressure of a gas source. It can monitor up to 2 gas sources simultaneously and generate an independent low-pressure alarm when the pressure level of a source is below its setpoint. If the pressure level for both sources is below the setpoint, a second alarm is generated, and a buzzer is activated. The pressure sensors use are heavy duty series operating from a low-pressure range of 0-50psig(0-6bar) up to 0-8000psig(0-550bar).

### APPLICATIONS:

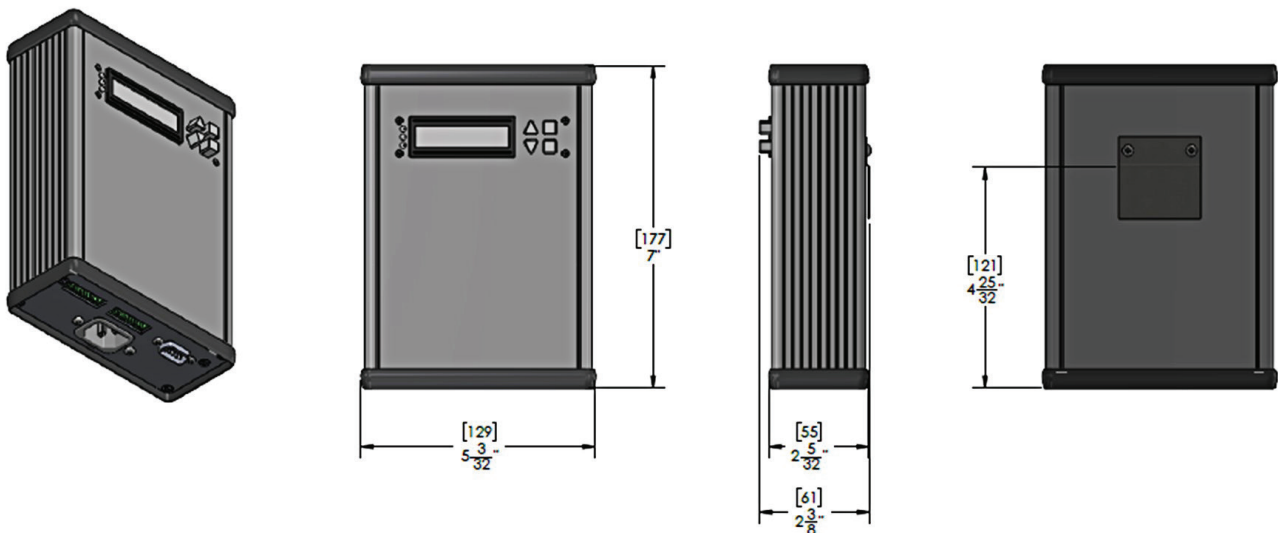
---

- Industrial / medical / laboratory
- Gas chromatography
- Gas cylinders
- Gas analysers
- Gas detectors
- Compressors
- Hydraulics
- Oil and gas

## SPECIFICATIONS

<b>HIGH PRESSURE RANGE MODEL (DEFAULT)</b>	0-3000 psig (0-350 bar) other ranges available on request from scale 0-1000 psig (0-160 bar) to 0-8000 psig (0-550 bar)	
<b>LOW PRESSURE RANGE MODEL (DEFAULT)</b>	0-200 psig (0-25 bar) other ranges available on request from scale 0-50 psig (0-6 bar) to 0-500 psig (0-100 bar)	
<b>PRESSURE SENSOR MATERIAL</b>	Stainless Steel with media-isolated metal diaphragm	
<b>PRESSURE SENSOR GAS CONNECTION (DEFAULT)</b>	¼ NPT other gas connection type available on request	
<b>PRESSURE SENSOR RATED</b>	IP65	
<b>ACCURACY</b>	+/- 0.25% full scale	
<b>OPERATING VOLTAGE</b>	85 ~ 264 VAC	
<b>OPERATING CURRENT</b>	< 0.1A	
<b>OPERATING FREQUENCY</b>	50-60Hz	
<b>RELAY OUTPUTS (4X)</b>	Dry contact N.O & N.C	<ul style="list-style-type: none"> <li>• Relay 1: Status system working</li> <li>• Relay 2: Source 1 low pressure alarm</li> <li>• Relay 3: Source 2 low pressure alarm</li> <li>• Relay 4: Source 1&amp;2 low pressure alarm with buzzer</li> </ul>
<b>COMMUNICATION</b>	Serial port RS232 with Modbus RTU (male DB9 connector)	
<b>OPERATING TEMPERATURE</b>	-20 °C to 70 °C (-4 °F to 158 °F)	
<b>OPERATING TEMPERATURE FOR PRESSURE SENSORS</b>	-40 °C to 125 °C (-40 °F to 257 °F)	

## DIMENSIONS



## TYPICAL INSTALLATION

Installation on a switchover system to monitor the pressures and then maintain the carrier gas on a gas chromatograph system.



## ORDERING INFORMATION

LDPMS	-XX	-XXX
	<b>HP:</b> High pressure (0-3000psig) <b>LP:</b> Low pressure (0-200psig)	<b>NP4:</b> NPT 1/4 <b>NP8:</b> NPT 1/8 <b>NP2:</b> NPT 1/2



990 Monfette Est, Thetford Mines, (Qc), Canada, G6G 7K6  
Phone: 418 755-1319 • Fax: 418 755-1329 • [info@ldetek.com](mailto:info@ldetek.com)

[www.ldetek.com](http://www.ldetek.com)